

Adjustable Venturi Mask



Instructions For Use:

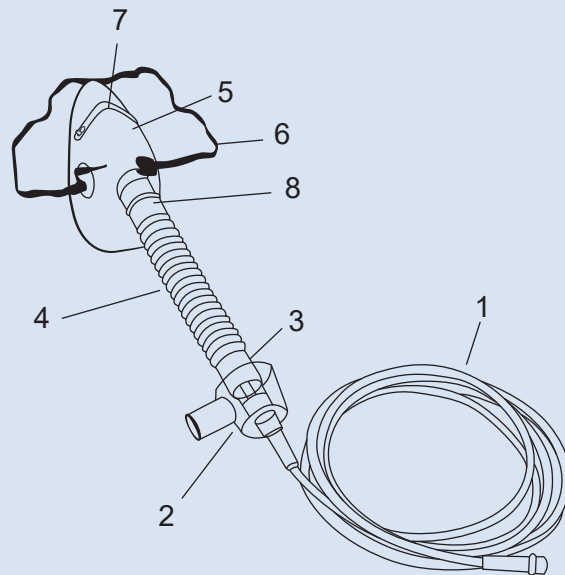
1. Wash your hands with soap and warm water. Hygiene is crucial when handling oxygen masks and supplemental oxygen tubing.
2. Select the appropriate flow valve according to a physicians order. Venturi jets are colored according to the amount of oxygen they deliver in liters per minute.
 - Blue valves deliver 2 liters of oxygen per minute at a 24 percent concentration.
 - Yellow valves deliver 4 liters of oxygen per minute at a 28 percent concentration.
 - White valves deliver 4 liters of oxygen per minute at a 31 percent concentration.
 - Green valves deliver 6 liters of oxygen per minute at a 35 percent concentration.
 - Red valves deliver 8 liters of oxygen per minute at a 40 percent concentration.
 - Orange deliver 12 liters of oxygen per minute at a 50 percent concentration.
3. Assemble the mask and the jet with the two ends of the corrugate tubing. Attach the oxygen tubing to the jet and the supplemental oxygen source.
4. Place the mask on the face, so that the small pointed end of the mask rests on the bridge of the nose. The larger rounded portion of the mask should rest on the chin. Pull the elastic band gently over the back of the head to secure the mask in place.
5. Pull the ends of the elastic band to make adjustments to the mask, so that it fits comfortably. Make sure the mask and bands are not impeding venous blood flow. Signs of impeded blood flow are pain, numbness, and discoloration of the area.
6. Turn on the supplemental oxygen – adjusting it slowly – until you reach the desired therapy level.
7. Check the tubing and mask for leaks. Tighten airline connections and mask fit, as needed to fix leaks.

Features:

- Consist of oxygen tubing, venturi diverter, venturi jet, corrugate tubing, mask.
- Size: S, M, L, XL.
- Oxygen tubing length: 2.1M.
- Every venture mask with 6 colored venturi jet.
- Adjustable nasal clip tightens the nose.
- Convenience to choose different oxygen jet for selecting different oxygen concentration rate.
- Smooth and feathered edge for patient comfort and reducing irritation points.
- Provides a method to transfer breathing oxygen gas from a storage tank to the lungs.

Name of parts for Adjustable Venturi Mask

Adjustable Venturi Mask		
Item No.	Name	Material
1	Oxygen tubing	PVC
2	Venturi diverter	PP
3	Venture jet	PP
4	Corrugate tubing	EVA and LDPE
5	Mask	PVC
6	Elastic	Latex or latex free elastic band
7	Nasal clip	Aluminum
8	Connector	PP



Size	Ref
S	309-S-12A
M	309-M-12A
L	309-L-12A
XL	309-XL-12A

Oxygen Concentration Setting	Color	Suggested Oxygen Flow
24%	Blue	2LPM
28%	Yellow	4LPM
31%	White	4LPM
35%	Green	6LPM
40%	Red	8LPM
50%	Orange	12LPM

Caution:

1. Read instruction for use before using the device.
2. Before use, remove the mask and oxygen tubing from the packaging. Inspect the mask and tubing, looking for cracks and discoloration. Discard any masks or tubing that are not intact.
3. This product should be used only by persons who have received adequate training and instructions from qualified medical personnel.
4. Keep away from the fire source when the oxygen source is necessary.
5. Avoid the toxic environment before using.
6. Single patient use, do not pasteurize, boil, gas or steam autoclave mask. Discard additional regulators, only after the patient has been discharged.
7. Do not use after expiry date. If over the expiry date, please discard it.
8. Sterile by ETO. Single use only.

Storage:

- Store in a cool, dry and dark place. Avoid direct sunlight.
- Storage temperature: -40 °C ~ 60 °C.
- Storage relative humidity: <85%.

Adjustable Venturi Mask



Secured Medical Direction UK Co., Ltd.

Wayson Commercial Bldg 28 Con-naught Rd West Sheung Wan HK, P.R.C.



EC REP Secured Medical Direction UK Co., Ltd.

St. James House 13 Kensington Square W8 5HD London U.K.

www.smd-medical.com